



Duraflex 250

Ice Drink Dispensers



Features:

- Available with six, eight, or ten LEV™ self-serve lever or push button post-mix valves
- Illuminated merchandiser delivers unique, high impact marketing message
- Exclusive integral cold plate system provides complete carbonation to non-carbonation drink flexibility
- Hard plumb design provides excellent casual drink performance
- Ice used to cool cold plate is separate from ice dispensed into cups
- Gravity ice dispensing with positive shut-off provides excellent ice targeting
- One piece ABS thermoformed plastic ice storage hopper (Durabide™ design) provides durability and ensures all ice in hopper is dispensable
- Unit readily accepts top mount cubers with manual ice fill capability



**Immediate Consumption
Excellence**

"COCA-COLA," "diet coke," "cherry coke," the Dynamic Ribbon device," "Sprite," "Minute Maid," "Hi-C," "Barq's," and "LEV" are trademarks of The Coca-Cola Company



Duraflex 250

Technical Specifications:

Ice Storage Capacity: 250 lbs. (113 kgs.)

Beverage Manifolding:

6 Valve: 3-2-1

8 Valve: 3-1-1-3

10 Valve: 3-1-2-1-3

Cup Clearance: 9 3/4" (24.77 cm)

Cooling Capacity: 12-12 oz. drinks/minute @75°F

Drain Connection: .75" PVC (NPT) or 1" ID flexible tubing

Graphic Size:

Overall: 14.678" x 42.847"

View: 13.910" x 41.847"

Standard Options: Key switch, 4" legs, timed agitation

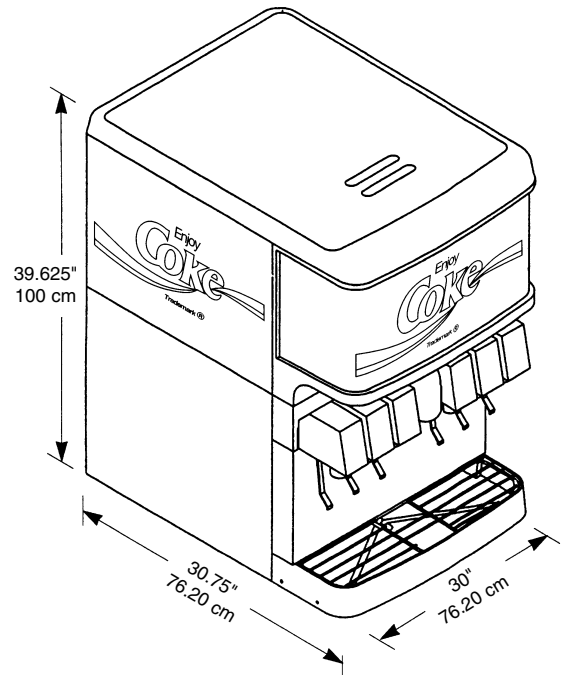
Electrical Rating: 115V / 60 Hz / 3.5 amps

Shipping Weight: 350 lbs. (159 kgs.)

Agency Listings:



City of New York
City of Los Angeles



Part Number	Description
05108	Ice Drink Dispenser with 6 LEV™ 3 oz. self-serve lever valves
0510812	Ice Drink Dispenser with 6 LEV™ 3 oz. push button valves
02803	Ice Drink Dispenser with 8 LEV™ 3 oz. self-serve lever valves
0280312	Ice Drink Dispenser with 8 LEV™ 3 oz. push button valves
02805	Ice Drink Dispenser with 10 LEV™ 3 oz. self-serve lever valves
0280512	Ice Drink Dispenser with 10 LEV™ 3 oz. push button valves
08004	DF200/250 Ice maker kit to accept most 30" wide automatic feed top-mount cubers



For more information or to place an order, contact your sales representative or authorized distributor:

In the U.S.:
Phone: 1-800-238-3600
Fax: 1-800-535-4235
Outside the U.S.:
Phone: 1-763-421-6120
Fax: 1-763-422-3297

IMI Cornelius, Inc.
One Cornelius Place
Anoka, MN 55303-6234
USA