



STANDARD ICE CHESTS with COLD PLATE

Perlick Features

- Patented design conceals cold plate under liner for improved sanitation.
- Dent resistant ABS top ledge.
- Stainless steel legs install without tools and have “Rust Free” Thermoplastic feet.

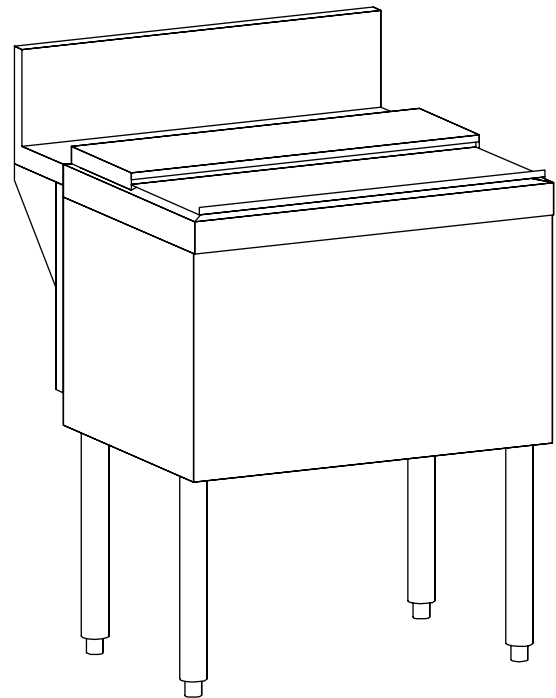
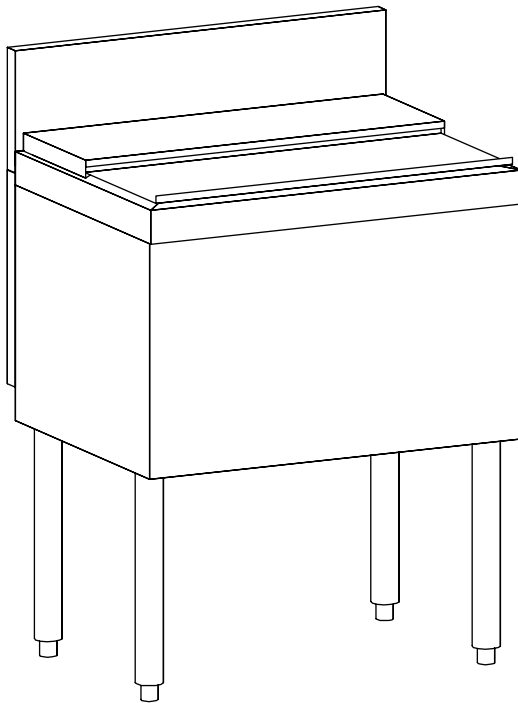
MODEL NOS. MODEL NOS.

TS Series

- TS24IC8
- TS30IC8
- TS36IC8
- TS42IC8
- TS48IC8

TSD Series

- TSD24IC8
- TSD30IC8
- TSD36IC8
- TSD42IC8
- TSD48IC8



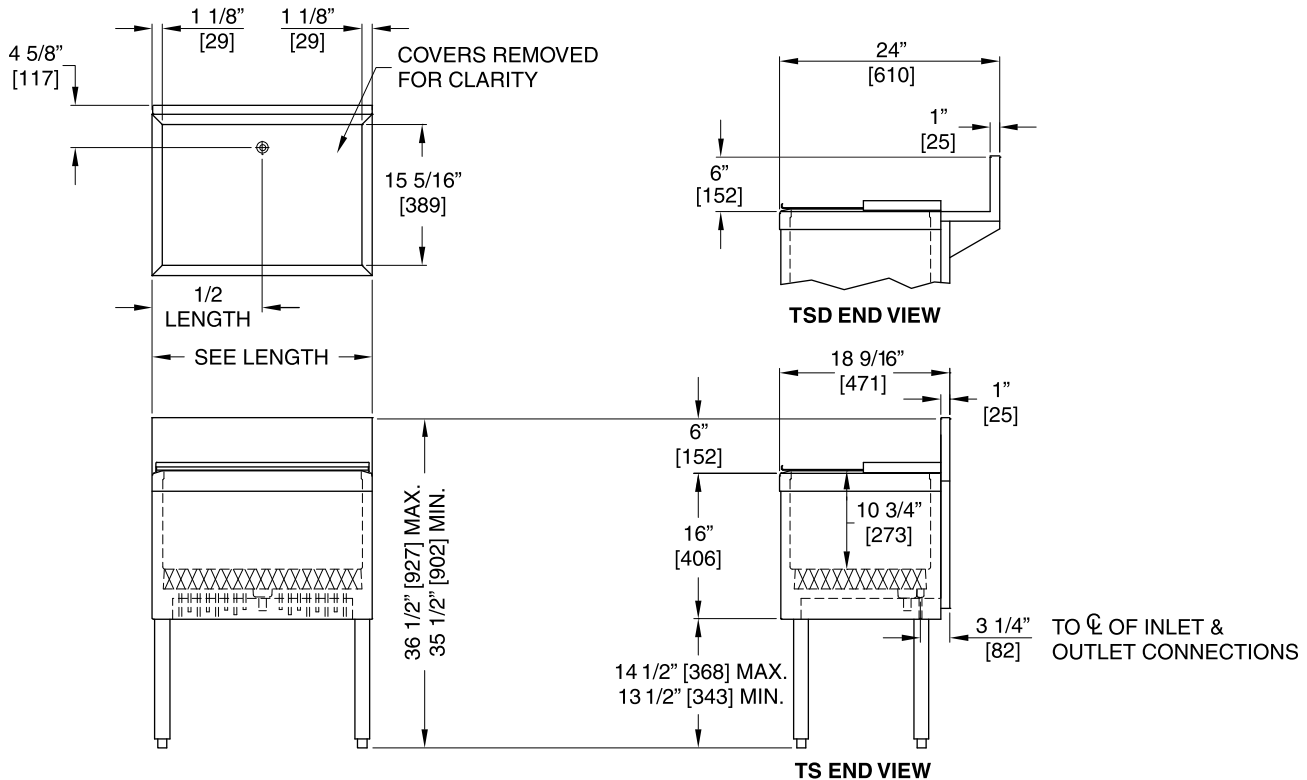
8300 West Good Hope Road • Milwaukee, WI 53223 • Phone 414-353-7060 • Fax 414-353-7069
Toll Free 800-558-5592 • E-Mail: Perlick@Perlick.com • www.Perlick.com



Sizes and Specifications Standard Ice Chests with Cold Plate

Job _____
 Area _____
 Item No. _____
 Model No. _____

MODEL NOS.	TS(D)24IC8	TS(D)30IC8	TS(D)36IC8	TS(D)42IC8	TS(D)48IC8
Length In. (mm)	24" (610)	30" (762)	36" (914)	42" (1067)	48" (1219)
Ice Cap. lbs. (kg)	50 (22.7)	70 (31.8)	85 (38.6)	100 (45.4)	115 (52.2)
Ship wt lbs. (kg)	166 (75.3)	191 (86.6)	201 (91.2)	211 (95.7)	221 (100.2)
FRONT & SIDES	Stainless steel, Top rim ABS.				
BACKSPLASH	General and TS Series: Stainless steel 6" high (4" high optional) with 1" return at top, mechanically fastened and sealed to ice chest top with steel support brackets. TDS Series: Backsplash and rear deck stainless steel.				
BACK & BOTTOM	Galvanized steel.				
COVERS	Stainless steel, two-piece, removable.				
INTERIOR	Stainless steel with 1/4" radius corners, welded and sealed with non-exposed cold plate. Interiors can be divided with freestanding ice dividers.				
INSULATION	Foamed-in- place polyurethane.				
LEGS	1 5/8" tubular, stainless steel with 1" adjustable thermoplastic foot.				
PLUMBING	Drain Connection - 1/2" NPS Male.				
COLD PLATE	Cast aluminum plate concealed under ice chest liner. Cold plate has 2 full-length circuits and 6 half-length circuits. Connections — 5/16" O.D. stainless steel tubing with swaged end to accept standard 1/4" I.D. beverage tubing.				
OPERATING SPECIFICATIONS	Each full circuit will deliver four, 6 oz. drinks per minute at 40° continuously, or 40 oz. every three minutes in a single draw (<i>Flow rate 2 oz./sec., 75° ambient, 75° product.</i>)				



8300 West Good Hope Road • Milwaukee, WI 53223 • Phone 414-353-7060 • Fax 414-353-7069
 Toll Free 800-558-5592 • E-Mail: Perlick@Perlick.com • www.Perlick.com

Perlick is committed to continuous improvement.
 Therefore, we reserve the right to change specifications without prior notice.

Form No. IC01
 Rev. 08.15.07